

勝特力材料 886-3-5753170
勝特力电子(上海) 86-21-54151736
勝特力电子(深圳) 86-755-83298787
[Http://www.100y.com.tw](http://www.100y.com.tw)



Specifications

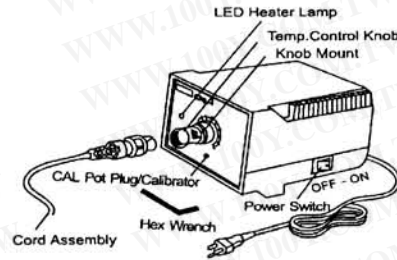
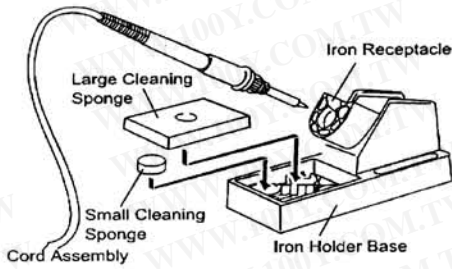
Name	936
Power Consumption	60W

Station

	936 Station/936 Station ESD
Output Voltage	24V AC
Temperature Range	200°C~480°C
Dimensions	120(W)*93(H)*70(D)mm/4.7(W)*3.7(H)*6.7(D)in
Weight(W/o Cord)	1300g(2.9lbs)

Names of Parts

勝特力材料 886-3-5753170
勝特力电子(上海) 86-21-54151736
勝特力电子(深圳) 86-755-83298787
Http://www.100y.com.tw



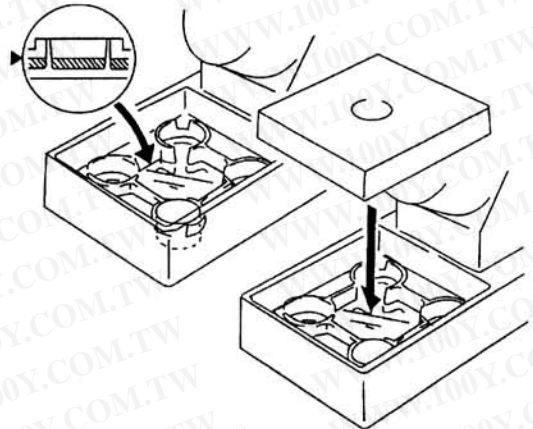
Setting up & Operating the 936 soldering station

- ⚠ CAUTION: The sponge is compressed. It will swell when moistened with water.
Before using the unit, dampen the sponge with the water and squeeze it dry.
Failure to do so may result in damage to the soldering tip.

A. Iron Holder

1. Small Cleaning Sponge
Dampen the small cleaning sponge with water and then squeeze it dry.
Place it in one of the 4 openings of the iron holder base.
2. Add water to approximately the level as shown.
The small sponge will absorb water to keep the larger sponge above it wet at all times.
- *The large sponge may be used alone (w/o small sponge & water).
3. Dampen the large cleaning sponge and place it on the iron holder base.

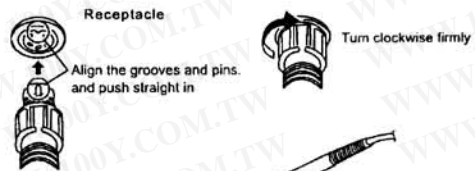
Note: the iron receptacles for the 900(S) and the 907/908 soldering irons are different.
Be sure to use the proper one for each type of soldering iron.
(Refer to Parts List.)



- ⚠ CAUTION: Be sure to turn off the power switch before connecting or disconnecting the soldering iron. Failure to do so may damage the P.W.B.

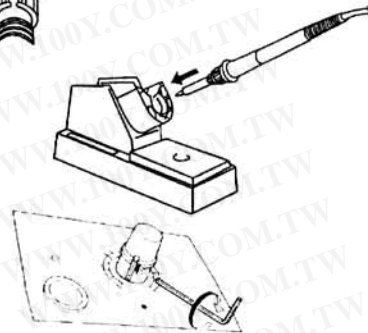
B. Connections

1. Connect the cord assembly to the receptacle.
2. Place the soldering iron in the iron holder.
3. Plug the power cord into a power supply. Be sure to ground the unit.



C. Set the Temperature

1. Set the temperature control knob to the desired temperature.
2. Lock the knob.
The 936 station is equipped with a temperature control knob lock. After setting the desired temperature, tighten the hex nut on the underside of the knob mount using the supplied hex wrench. Turn the nut clockwise to tighten the knob lock.



- ⚠ CAUTION: • Don't overtighten the knob lock.
• Don't attempt to turn the knob when the knob lock is on.

Specifications

勝特力材料 886-3-5753170
勝特力电子(上海) 86-21-54151736
勝特力电子(深圳) 86-755-83298787
[Http://www.100y.com.tw](http://www.100y.com.tw)

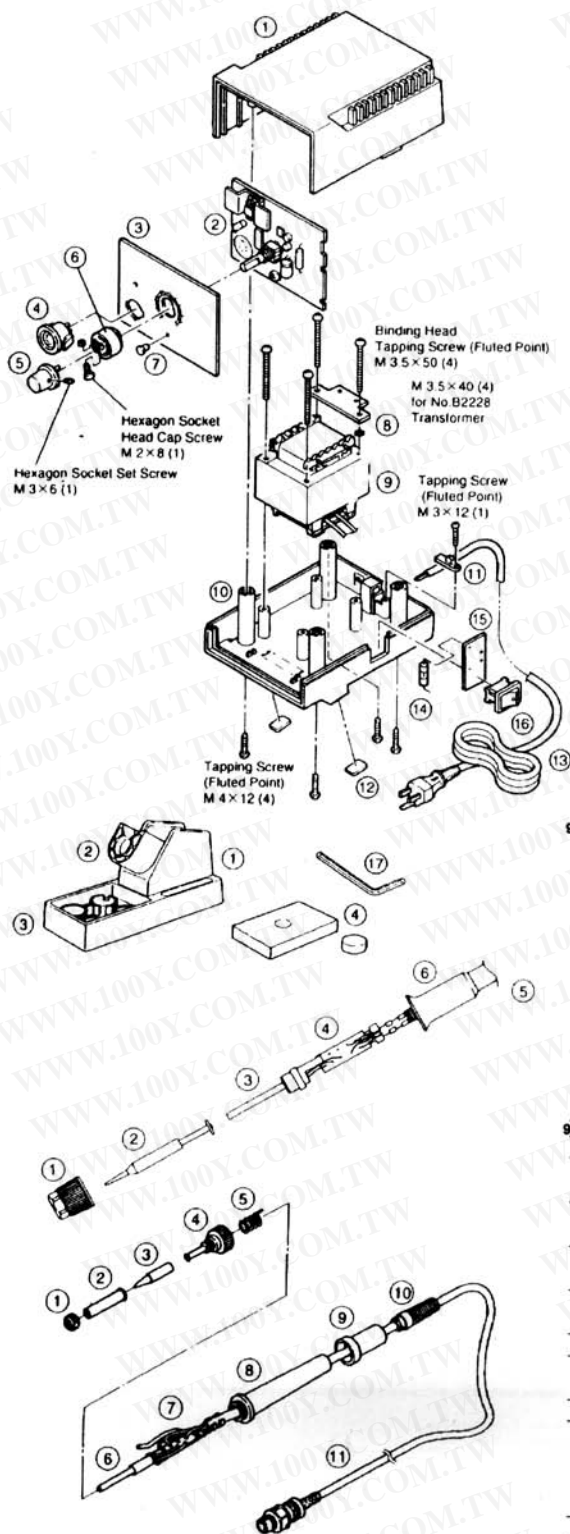
Name	936
Power Consumption	60W
Station	936 Station /936 Station ESD
Output Voltage	24V AC
Temperature Range	200°C - 480°C/392°F - 896°F
Dimensions	120(W) × 93(H) × 70(D)mm/4.7(W) × 3.7(H) × 6.7(D)in
Weight(W/o Cord)	1300g(2.9lbs)

- The tip temperature was measured using 191 thermometer.
- Specifications and design subject to change without notice.

Soldering Iron

	900S 900S - ESD	907 907 - ESD	908 908 - ESD
Power Consumption	24V AC - 50W		
Tip to Ground Resistance	Under 2Ω		
Tip to Ground Potential	Under 2mV(TYP. 0.6mV)		
Heating Element	Ceramic heater		
Cord Assembly	1.2m(4ft)		
Total Length (Without cord)	176mm(7in.)	190mm(7.5in.)	200mm(7.9in.)
Weight(W/o Cord)	59g(0.06lbs.)	44g(0.09lbs.)	54g(0.12lbs.)

Parts list (Station/Iron Holder/Iron)



Item No.	Part No.	Part Name	Description
1	B2048	Upper Case	100, 110, 220 - 240 V (Standard)
	B2225	Upper Case/UL	120 V (Standard/UL)
	B2001	Upper Case	E. S. D.
2	B2229	P. W. B.	
3	B2003	Panel	
	B2287	Panel	E. S. D.
4	B2006	Receptacle	
5	B2004	Knob	w/ a screw
6	B2005	Knob Mount	w/ a screw
7	B2018	CAL Pot Plug	
8	B2227	Grounding Plate	
9	B2011	Transformer	100 - 24V
	B2012	Transformer	110 - 24V
	B2228	Transformer	120 - 24V (UL)
	B2014	Transformer	220 - 240 - 24V
	B2000	Lower Case*	100, 110, 220 - 240V (Standard)
10	B2226	Lower Case/UL*	120V (Standard/UL)
	B2002	Lower Case*	E. S. D. * W/ Rubber Stopper
11	B2015	Cord Stopper	
12	B2016	Rubber Stopper	set of 2
13	B1318	Power Cord	3 Wired Cord But No Plug
	B1319	Power Cord	3 Wired Cord & American Plug
	B2043	Power Cord	3 Core & European Plug (Standard)
	B2486	Power Cord	3 Core & Chinese Plug
	B2007	Fuse/ 2A	100, 110V
14	B2224	Fuse/ 2A	120V (UL)
	B2008	Fuse/ 0.8A	220 - 240V
	B2103	Wiring Board for Switch	
16	B1084	Power Switch	
17	B2017	Hex Wrench	

Item No.	Part No.	Part Name	For
1	C1141	Iron Holder	900S
	C1142	Iron Holder	907, 908
2	B2020	Iron Receptacle	900S
	B2021	Iron Receptacle	907, 908
3	B2019	Iron Holder Base	900S, 907, 908
4	A1042	Clearing Sponge	900S, 907, 908

900S

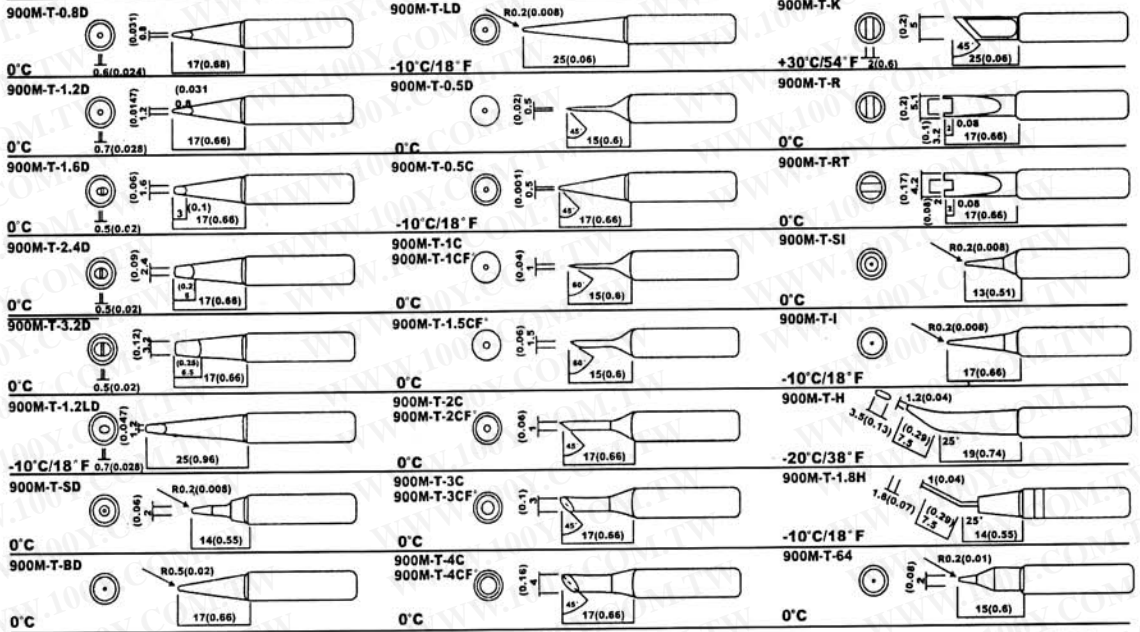
Item No.	Part No.	Part Name	Description
1	900S-006	Nut	
	900S-006S	Nut	E. S. D.
2		Soldering Tip	See P. 15
3	A1322	Heating Element	Old Part No. 900S-H
4	900S-101	Terminal Board	w/ Cord Stopper
	900S-001	Handle	w/ Handle Cover
5	900S-001S	Handle	w/ Handle Cover, E. S. D.
	900S-034	Handle Cover	
	900S-034S	Handle Cover	E. S. D.
7	900S-010	Cord Bushing	(Not shown)
8	900S-039	Cord Asse'y	(Not shown)
	900S-039S	Cord Asse'y	E. S. D. (Not shown)

907,908

Item No.	Part No.	Part Name	Description	For
1	B1784	Nut		907
	B1794	Nut		908
2	B1786	Tip Enclosure		907
	B1787	Tip Enclosure		908
3		Soldering Tip	See P. 15	907
		Soldering Tip	See P. 15	908
4	B2022	Nipple		907
	B2033	Nipple		908
5	B2032	Grounding Spring		907, 908
6	A1321	Heating Element	Old Part No. 900M-H No. 900L-H	907, 908
7	B2028	Terminal Board	w/ Cord Stopper	907, 908
8	B2023	Handle	w/ Handle Cover	907
	B2024	Handle	w/ Handle Cover, E. S. D.	907
	B2025	Handle	w/ Handle Cover	908
	B2026	Handle	w/ Handle Cover, E. S. D.	908
	B2027	Handle Cover		907, 908
10	B2031	Cord Bushing		907, 908
11	B2029	Cord Asse'y		907, 908
	B2030	Cord Asse'y	E. S. D.	907, 908

Tips/焊鐵頭

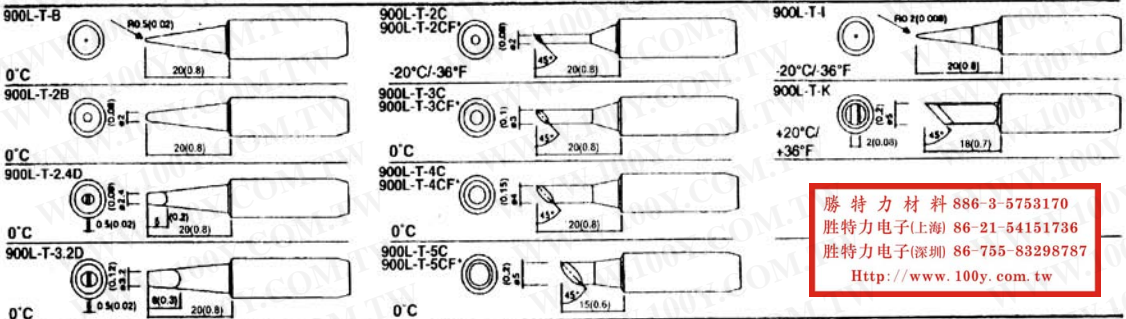
907



· 900Mtip Out Diam $\Phi 6.5$ · 900M 型焊鐵頭外徑為 $\Phi 6.5$

908 For heavy duty soldering recommends the 908 iron with heavier tips.

若進行繁重焊接工作，我方建議您選用配備有較強功能焊鐵頭的908型焊鐵。



勝特力材料 886-3-5753170
 勝特力电子(上海) 86-21-54151736
 勝特力电子(深圳) 86-755-83298787
[Http://www.100y.com.tw](http://www.100y.com.tw)

· 900L tip Out Diam $\phi 8.5$

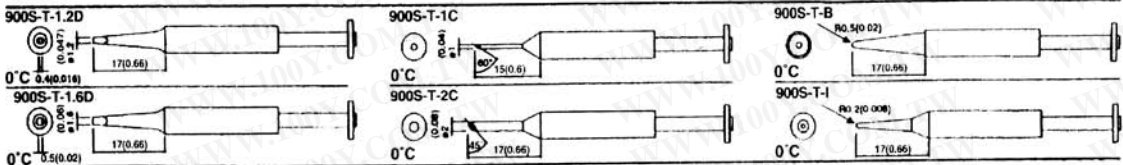
★ 900L 型焊鐵頭外徑為 $\Phi 8.5$

*-These tips are tinned flat only.

★ 此款焊鐵頭只在平坦部分鍍錫。

900S For micro soldering, recommends the 900S iron with fine tips.

若進行細微焊接工作，我方建議您選用配備有較細焊鐵頭的900S型焊鐵。



· 900S Tip Out Diam $\phi 8.5$ ★ 900S 型焊鐵頭外徑為 $\Phi 8.5$